

EPTZ2700/EPTZ2700i

480 TVL Outdoor/Indoor PTZ with Wide Dynamic Range and True Day/Night (27x Optical Zoom)



IP66



EPTZ2700 Outdoor PTZ with Wall Mount

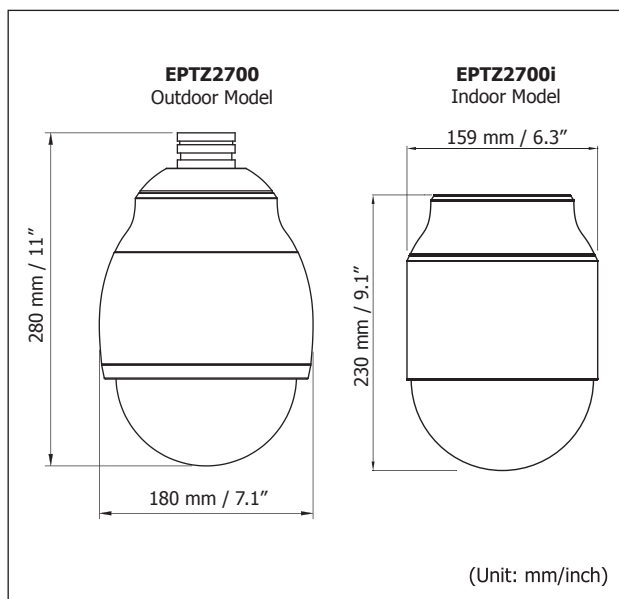


EPTZ2700i Indoor PTZ with Concrete Ceiling Mount

Features

- 480 TVL for horizontal resolution
- True Day/Night with IR cut filter
- Wide Dynamic Range for surveillance with extreme lighting conditions to eliminate washed out images
- Improve image quality in scenes consisting of bright and dark area
- Light sensitivity of 1 Lux, 0.005 Lux (ICR On)
- Auto switch color to black & white to enhance light sensitivity at night or in low light conditions
- 192 preset positions available
- 16 cruise tour sets (each tour contains up to 16 positions)
- Running to position speed: 0.01° ~ 360°/second
- 4 alarm inputs, 2 alarm outputs
- Built-in heater and fan to tolerate low temperature (EPTZ2700 only)
- Weatherproof IP66 rated to endure all weather conditions (EPTZ2700 only)
- Available in indoor or outdoor model

Dimensions



Specifications

Product Model	EPTZ2700	EPTZ2700i
Pickup Device	1/4" Sony Interline Transfer Super HAD CCD	
Video Format	NTSC or PAL	
Scanning System	NTSC: 525 TVL, 60 fields/sec. PAL: 625 TVL, 50 fields/sec.	
Picture Elements	768 x 494 (NTSC) / 752 x 582 (PAL)	
Horizontal Resolution	480 TVL	
Sensitivity	Normal: 1 Lux Night Mode: 0.005 Lux (ICR On)	
S/N Ratio	48 dB	
Video Output	BNC 1Vp-p / 75 ohm	
Sync. Mode	Internal	
Electronic Shutter	1/60 (1/50) ~ 1/10,000 (NTSC/PAL)	
Digital Slow Shutter	Auto/Fixed: 2x, 4x, 6x, 10x, 16x, 32x	
Shutter Selection	AUTO/A.FLK/Manual: 1/60(1/50)~1/10,000 selectable	
Lens Type	f=3.25 mm (wide) to 88 mm (tele), F1.5 to F3.8	
Zoom Ratio	270x zoom max. (27x Optical and 10x Digital)	
True Day/Night	Yes (Off/Auto)	
Backlight Comp.	Yes, (Off/On)	
Auto Gain Control	Yes, (Off/On)	
Wide Dynamic Range	Yes, (Off/On/Auto)	
White Balance	Auto/Indoor/Outdoor	
Motion Detection	Yes (Off/On)	
Gamma Correction	0.45	
Focus Control	One Push/Auto/Manual	
Horizontal Rotation Speed	0.01°/s~360°/s (1~255 grade shift gears)	
Horizontal Rotation Range	360° unlimited rotation	
Tilt Rotation Range	90° pendulum motion	
Auto Zoom Speed Control	Automatic, according to the zoom length	
Auto Pan	2 point scanning, can set freely	
Auto Pan speed	1~255 grade available (0.01°/s~360°/s)	
Dwell time (2 points)	1~99 seconds available	
Preset Position	192 positions	
Running to Position Speed	1~255 grade available (0.01°/s~360°/s)	
Dwell Time	1~99 seconds available (at preset position)	
Tour	16 groups	
Tour Point Per Group	16 preset positions	
Pattern	4 patterns with 90 sec. long each	
Fan	Yes, automatic	
Position Accuracy	±0.1°	
Alarm	4 in, 2 out with tour/position auto triggering	
Communication	RS-485	
Communication Speed	1200/2400/4800/9600bps	
Built-in Protocols	EVF-1, Pelco-P, Pelco-D, A-Type, Plus-D, AUTO, Panasonic (Plus-D supports all other brands, equivalent to Pelco-D)	
Edit Address	Yes (through DIP switch)	
Speed Dome Address	0-255	
Manual Pan/Tilt Speed	Pan: 0.01° ~ 180°/s, Tilt: 0.01° ~ 180°/s	
Safety	CE, FCC	
Power Source	24VAC	
Power Consumption	21W max.	
Operating Temperature	-40°C ~ +50°C / -40°F ~ 122°F ≤ 95%	-10°C ~ +50°C / 14°F ~ 122°F ≤ 85%
Dimensions (W x H)	180 x 280 mm / 7.1" x 11"	159 x 230 mm / 6.3" x 9.1"
Weight	3 kg / 6.6 lbs	
Environmental Ratings	Weatherproof IP66 rated (EPTZ2700 only)	

*All product specifications are subject to change without notice