

EQ610s

700 TVL True Day/Night,
Super Low Light & D-WDR Box Camera

NEW



700 TVL	True Day/Night	Motion Detection Support	Privacy Mask	DIS Digital Image Stabilization	Super Low Lux
DSS Digital Slow Shutter	Sens-up 512x	HLC ON/OFF	OSD Menu	D-WDR Extended ATR	POWER 12VDC/24VAC
AWB OSD Setting	AGC ON/OFF	AES 1/50(1/60)~100 000s	3DNR	RS 485	CE

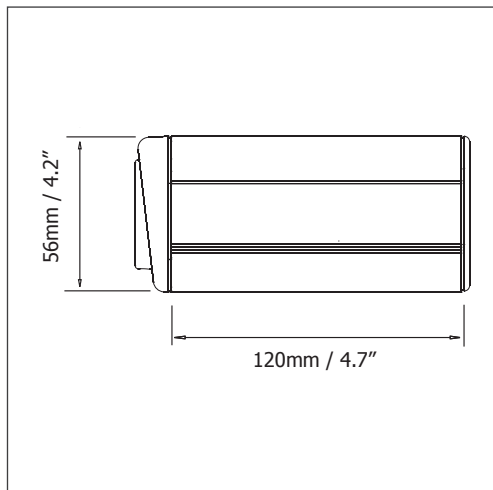


*Lens sold separately

Features

- 700 TVL superior image quality with Sony 1/3" EXview HAD CCD II 960H sensor
- The starlight Super-high sensitivity of 0.00006 Lux/F=1.2 is achieved by Digital Slow Shutter (Sens-Up 512x)
- Sony Effio-S platform to perform advanced camera functions and excellent picture quality
- True Day/Night function with ICR module
- Support 3D & 2D Noise Reduction
- High sensitivity, low smear, high anti-blooming and high S/N ratio for high performance video
- Easy to use OSD Setup Menu
- D-WDR functions by Sony Extended ATR technology fit backlight conditions
- Built-in Back Light Compensation (BLC), High Light Compensation (HLC), Auto Electronic Shutter (AES), Auto Gain Control (AGC) and Auto White Balance (AWB)
- Digital Image Stabilization
- Digital Zoom
- Provide control interface include RS-485, D/N in, D/N out and Motion Alarm Out
- Built-in Motion Detection, Privacy Mask advanced surveillance functions

Dimensions



Specifications

Pickup Device	1/3" Sony 960H EXview HAD CCD II	
Video Format	NTSC	PAL
Picture Elements	1020(H) x 508(V)	1020(H) x 596(V)
Horizontal Resolution	700 TVL	
Sensitivity	0.03 Lux/F=1.2; 0.00006 Lux/Sens-up 512x	
S/N Ratio	Over 52dB (AGC off)	
Video Output	1.0Vp-p Composite, 75Ω ; BNC	
Gamma Correction	0.45	
Lens Type	C/CS Mount (Lens sold separately)	
High Light Compensation	ON/OFF/AUTO CLIP: 0~255 / SCALE: 0~15	
Auto Electronic Shutter	1/60(50) ~1/100,000sec.	
Auto Gain Control	0~200 Levels adjustable	
Auto White Balance	ATW / AWB / 3200K / 6300K / ANTI CR / PUSH LOCK / MANUAL	
Sync. Mode	Internal	
Day & Night Mode	External / Auto / DN IN / Color / B&W	
OSD Menu	OSD Control (English / Traditional Chinese / Simplified Chinese)	
DNR	3DNR: OFF / ON / MIDLOW / MID / MIDTHIGH / HIGH 2DNR: OFF / ON / MIDLOW / MID / MIDTHIGH / HIGH	
D-WDR(Extended ATR)	OFF/BLC/WDR	
Digital Slow Shutter	Sens-Up ~512x	
Digital Image Stabilization	Yes	
Digital Zoom	Yes	
RS-485 Control	Yes	
Digital I/O Control	D/N In ; D/N Out ; Motion Alarm Out	
Mirror	Normal / Vertical / Mirror / Rotate	
Motion Detection	On/Off for 24x16 Detection Zone Blocks	
Privacy Mask	On/Off for 8 Zones Programmable, Mosaic	
Power Source	12VDC/24VAC	
Power Consumption	12VDC: 2.4W / 24VAC: 2.4W	
Operating Temperature	-10°C~50°C / 14°F~122°F	
Dimensions (WxDxH)	68mm x 56mm x 120mm/2.6" x 2.2" x 4.7"	
Weight	300g/0.66lbs	
Certificates	CE, FCC	